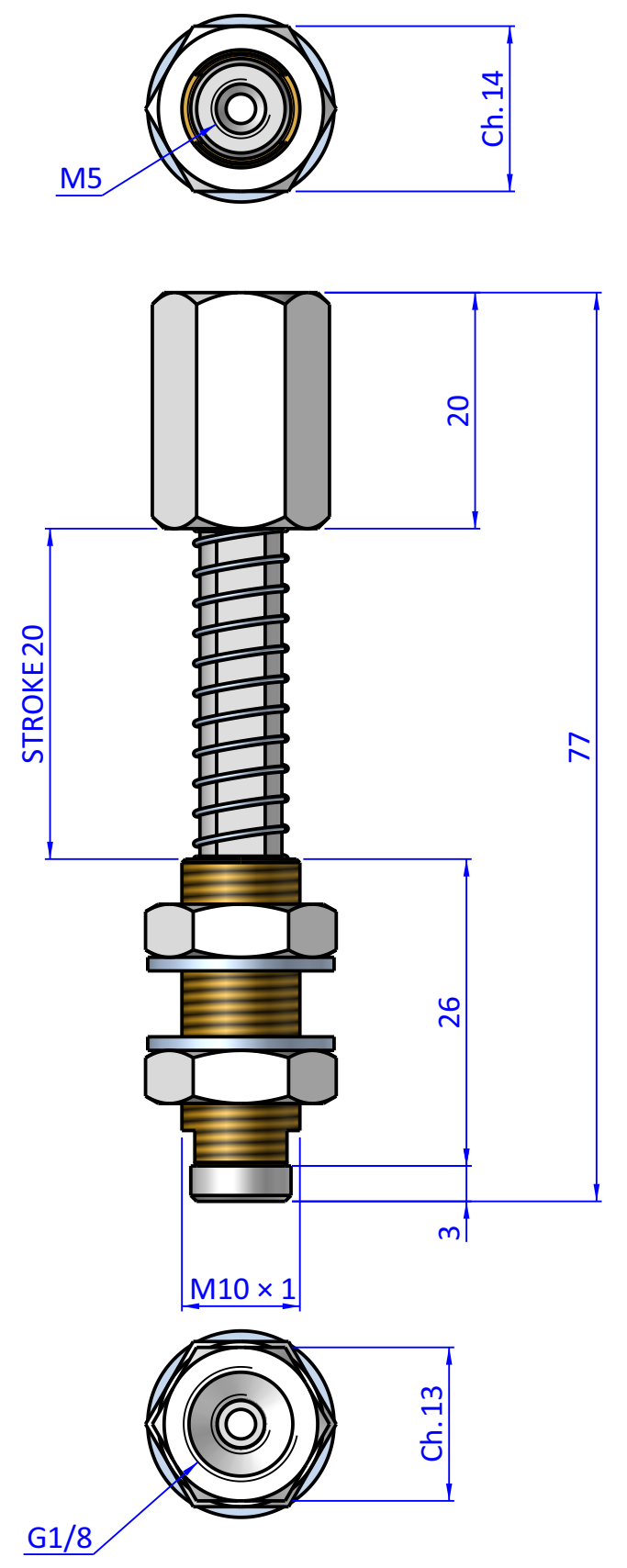
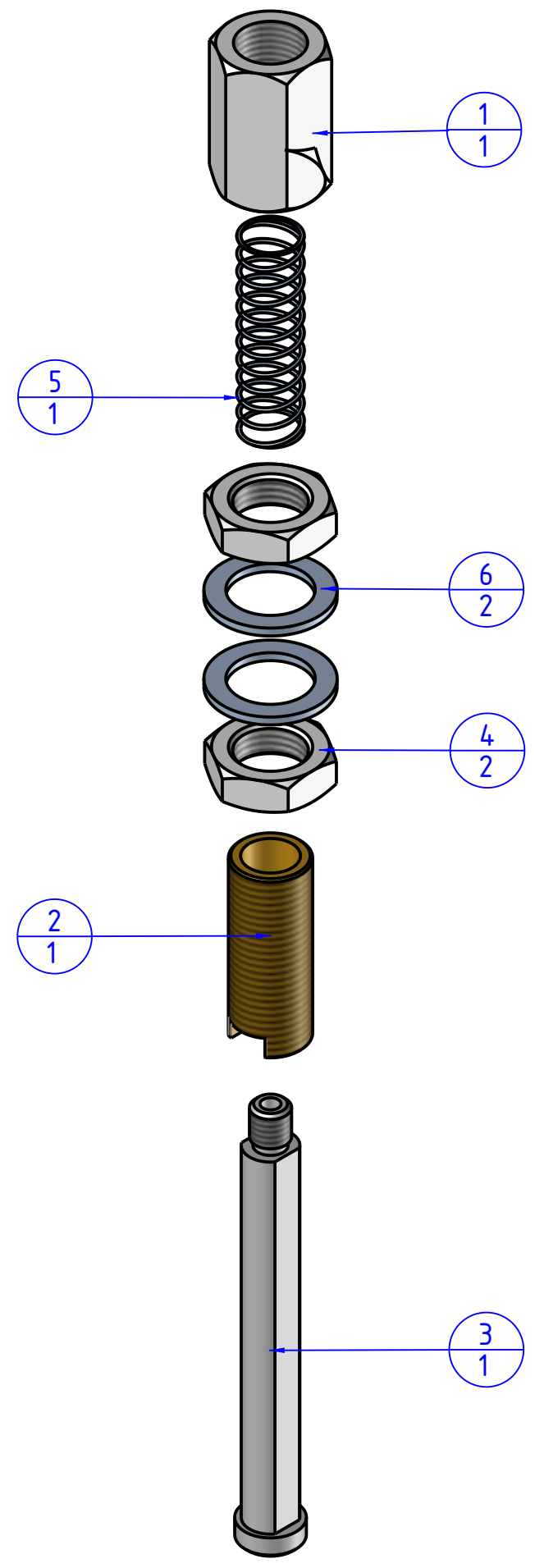



THE PROPERTY OF THE DRAWING IS ESTABLISHED BY LAW. IT IS FORBIDDEN TO PRODUCE OR SHOW IT TO THIRD PART. WITHOUT A WRITTEN AGREEMENT.

Item	Name	Q.ty
1	05.01.005.01.18	1
2	05.01.005.02	1
3	05.01.005.05	1
4	05.01.005.06	2
5	M.8x35.6N	1
6	R.10.SCH	2



Format A2
UNI 936-76

 FPS FPSERVICES AUTOMATION		DESIGNED FROM		REVIEW
		FPS Automation		A
GENERAL TOLERANCE		DATE	WEIGHT	
UNI - ISO 2768		30/10/2024	0,033kg	
CLASSE f		CODE	CA.05.01.013.6N	
		DESCRIPTION	CA.05.01.013.6N	